

GONZO *NEW version*

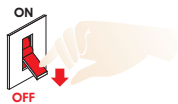
Installation Manual

1

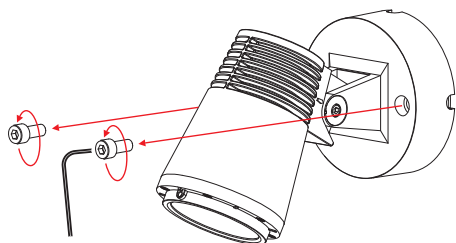


Attention

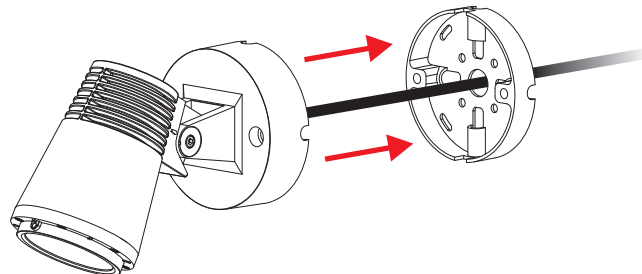
Switch off the main power.



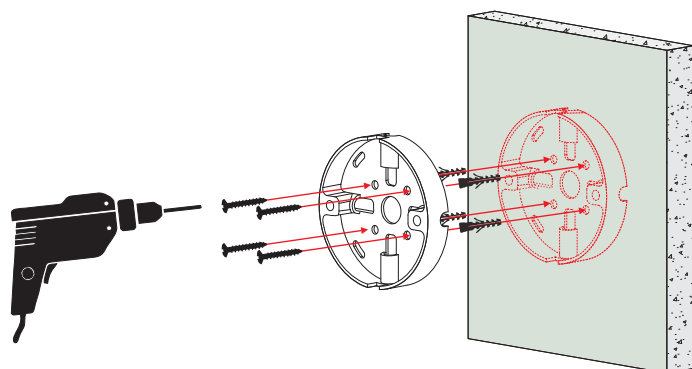
2



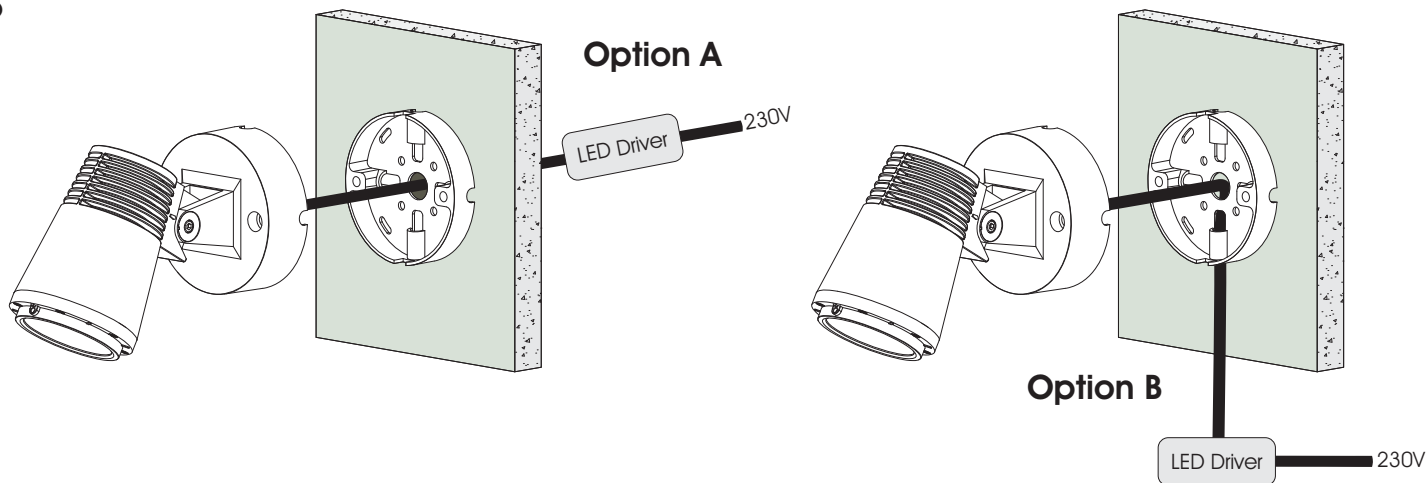
3



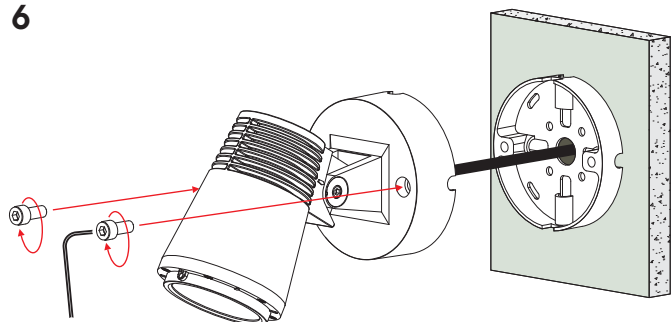
4



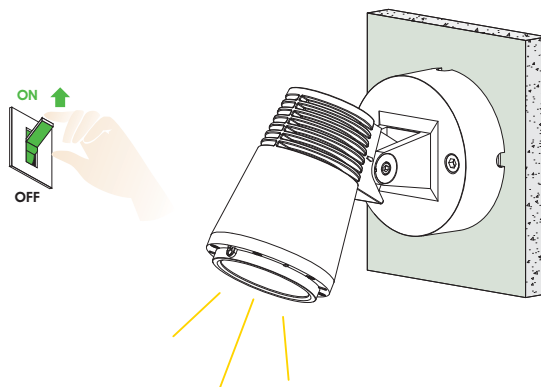
5



6



7



ELECTRON

ELECTRON SA, PROFESSIONAL LIGHTING SYSTEMS

68 Antiochias Str, N. Philadelphia, 143 41 Athens, Greece, Tel. +30 210 2584240, Fax. +30 210 2584245, info@electron.gr, www.electron.gr